

GENERAL NOTES:

-These shop drawings have been produced according to Artone, LLC's interpretation of the architect/designer's drawings and design. The millwork represented within will be produced as shown unless changes are made during the submittal process. Any modifications of the drawings by the contractor or architect/designer after these drawings have been approved for construction could result in additional costs.

-All items are to be the AWI grade specified below. All necessary field dimensions are to be established before production.

-Continuous blocking or backing of at least 2" x 6" nominal wood or 6" x 16 ga. sheet metal, installed by others, shall be appropriately located in all wood or metal stud walls. (AWI 10-6.1.12.1)

-G.C. to supply cutsheets for ppliances.

ARTONE LLC
 1089 Allen Street
 Jamestown, NY 14701
 Phone: 716.664.2232
 Fax: 716.664.1511

Name
 Address
 Phone:
 Fax:

CONTRACTOR:
 Name
 Address
 Phone:
 Fax:

INSTALLER:
 Name
 Address
 Phone:
 Fax:

AWI PREMIUM

AWI CUSTOM

OTHER _____

Approved

Approved As Noted

Revise & Resubmit

Initials:

Revisions				
No	Date	Drawn By	Checked By	Per
-	-	-	-	-



1089 Allen Street
 Jamestown, NY 14701
 Phone 716.664.2232
 Fax 716.664.1511



COVER

Original Issue:
 9/19/16

Scale:
 N/A

Job No.:

Drawn:
 AM

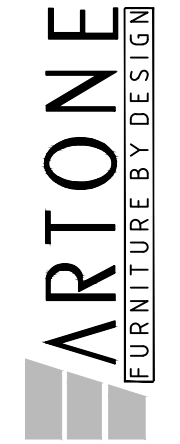
Drawing:
 COVER SHEET

DRAWING INDEX		
DRAWING	DESCRIPTION	QUANTITY
COVER	COVER SHEET	
INDEX	DRAWING INDEX	
SPECS 1	MATERIALS / FINISHES SPECIFICATION	
SPECS 2	HARDWARE SPECIFICATION	
A1	DOUBLE QUEEN HEADBOARD PLANS/ELEVATIONS	
A2	VANITY PLANS/ELEVATIONS	
A3	DESK/TV/DRESSER UNIT PLANS/ELEVATIONS	
A4	MISC. ELEVATIONS	
D1	SECTIONS	
D2	SECTIONS	
D3	SECTIONS	

Revisions				
No	Date	Drawn By	Checked By	Per
-	-	-	-	-



1089 Allen Street
 Jamestown, NY 14701
 Phone 716.664.2232
 Fax 716.664.1511



DRAWING INDEX

Original Issue:
 9/19/16
 Scale:
 N/A
 Job No.:
 Drawn:
 AM
 Drawing:
 INDEX

MASTER MATERIAL SCHEDULE			
ITEM	REF. #	EDGE	CORE MATERIAL
EXTERIOR	HPL-1, BK-1	EB-1,EB-2	3/4" PARTICLE BOARD
NIGHTSTAND TOP	HPL-1, BK-1	EB-1	(2 LAYERS) 3/4" PARTICLE BOARD
NIGHTSTAND REVEAL	HPL-1, BK-1	EB-1	1/2" PARTICLE BOARD
VANITY	HPL-1, BK-1	EB-1	3/4" PLYWOOD
DESK/TV/DRESSER UNIT	HPL-1, BK-1	EB-1	3/4" PARTICLE BOARD

FINISH SCHEDULE			
ITEM	REF. #	DESCRIPTION	WHERE USED
HIGH PRESSURE LAMINATE	HPL-1	WILSONART RIVER CHERRY 7937-38	EXTERIORS @ NIGHTSTAND, DESK & VANITY
EDGE BAND	EB-1	2mm EDGE BAND TO MATCH WILSONART RIVER CHERRY 7937-38	EXPOSED EDGES
EDGE BAND	EB-2	0.5mm EDGE BAND TO MATCH WILSONART RIVER CHERRY 7937-38	BOTTOM OF PANELS
BACKER	BK-1	BROWN BACKER	UNEXPOSED FACES
LOW PRESSURE LAMINATE	LPL-1	WILSONART RIVER CHERRY 7937-38	HEADBOARD, TV PANEL
THERMALLY FUSED LAMINATE	LPL-2	FLAKEBOARD BLK100, BLACK SUEDE FINISH	UNEXPOSED FACES
QUARTZ	QT-1	3/4" QUARTZ TOP - SILESTONE BLANCO CITY	VANITY TOP
QUARTZ	QT-2	3/4" QUARTZ TOP - SILESTONE URBAN CREME	DRESSER/TV/DESK UNIT
PLYWOOD	PLY-1	3/4" PLYWOOD	UNEXPOSED PARTS @ VANITY
MDF	MDF-1	1/2" MDF (UNFINISHED)	CUSHION BACKS
FABRIC	FAB-1	(COM) SMOOTH BLUE VINYL	HEADBOARD
FABRIC	FAB-2	(COM) WOVEN FABRIC W/ LIGHT BLUE GROUND & SILVER & GOLD METALLIC THREADS	DRESSER/TV/DESK UNIT
WOOD	WD-1	HARD MAPLE	VANITY LEGS
WOOD	WD-2	POPLAR CLEAT	
STAIN	ST-1	STAIN TO MATCH WILSONART RIVER CHERRY 7937-38	VANITY LEGS

Revisions				
No	Date	Drawn By	Checked By	Per
-	-	-	-	-



1089 Allen Street
 Jamestown, NY 14701
 Phone 716.664.2232
 Fax 716.664.1511



MATERIALS
 FINISH SCHEDULE

Original Issue:
 9/19/16
 Scale:
 N/A
 Job No.:
 Drawn:
 AM
 Drawing:
 SPECS 1

HARDWARE SCHEDULE

ITEM	REF. #	ARTONE PART #	FINISH	MODEL / SIZE	MANUF.	REMARKS
LEVELER	H1	70065	NICKEL PLATED	GL308A100093ZN	JG EDELEN COMPANY, INC	
LEVELER INSERT	H2	70042	ZINC	D142025 ZN	STAFEST PRODUCTS, INC	
TACK-IN GLIDE	H3	70317	WHITE	650.02.226	HAFELE	VANITY LEGS
ALUMINUM FERRULES	H4	TBD	BRUSHED ALUMINUM	N/A	TBD	VANITY LEGS
SLIDE	H5	XX-09242	ZINC	303FUSFT20	HARDWARE RESOURCES	DRAWER BOX
KEKU CLIPS	H6	70276M/F	BLACK	262.50.313	HAFELE	REMOVABLE PANEL @ VANITY
GROMMET	H7	XX-07634	SATIN CHROME	PS-2B-26D	DOUG MOCKET	DESK
BISCUIT	H8	70132	N/A	267.90.020	HAFELE	HEADBOARD
ALUMINUM BAR	H9	XX-09244	N/A	BS08S	BRUNNER	1/2" x 1/2" x 35-1/2"
PULL	H10	XX-02532	STAINLESS STEEL MATTE	117.05.630	HAFELE	DRAWER @ DRESSER/TV/DESK UNIT
MAGNETIC CATCH W/ STRIKE	H11	XX-05445	WHITE PLASTIC	DS5360WH	BAER SUPPLY	REMOVABLE PANEL @ NIGHTSTAND
FURNLITE RECEPTACLE	H12	T.B.D.	BLACK	FC-732	FURNLITE	CENTER HEADBOARD PANEL
FURNLITE COVERPLATE	H13	XX-08356	BLACK	FC-730-CVR-BK	FURNLITE	CENTER HEADBOARD PANEL
VENT	H14	T.B.D.	SATIN STAINLESS STEEL	SAD-200	SUGATSUNE	DESK/REFRIGERATOR PANEL



1089 Allen Street
 Jamestown, NY 14701
 Phone 716.664.2232
 Fax 716.664.1511

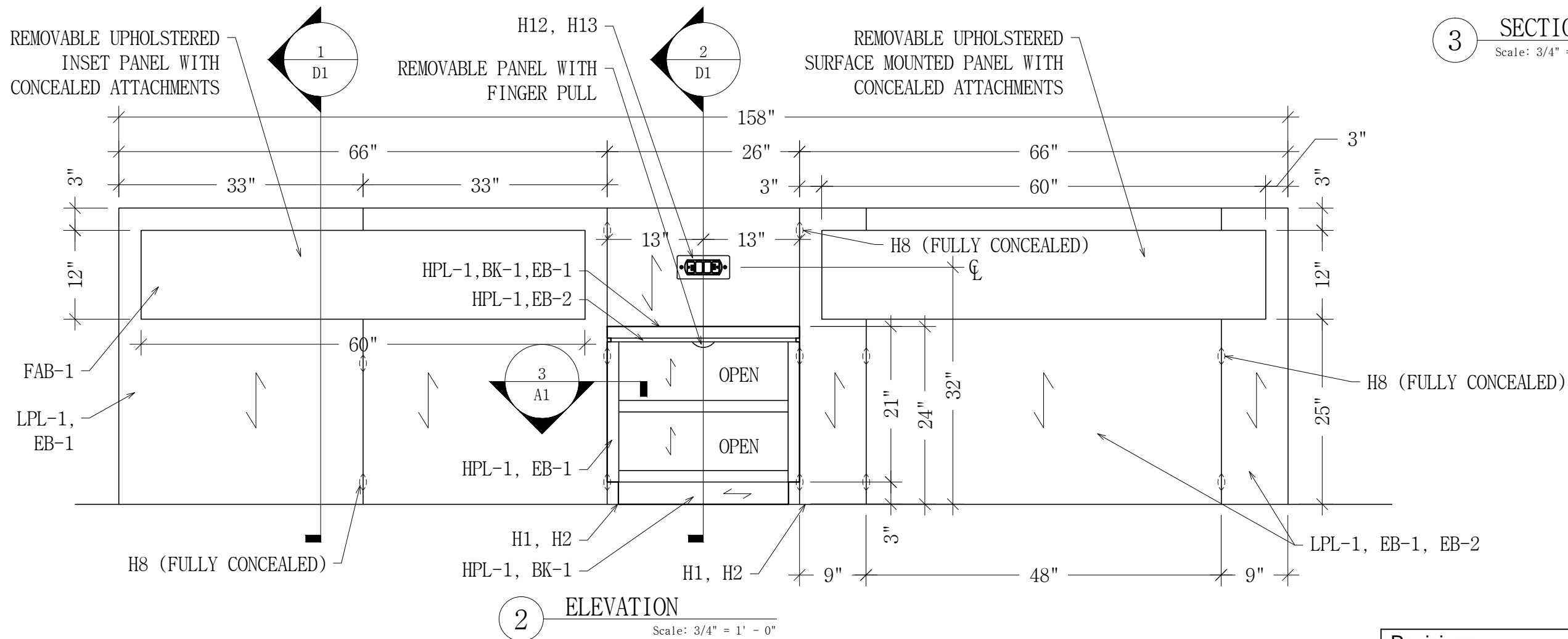
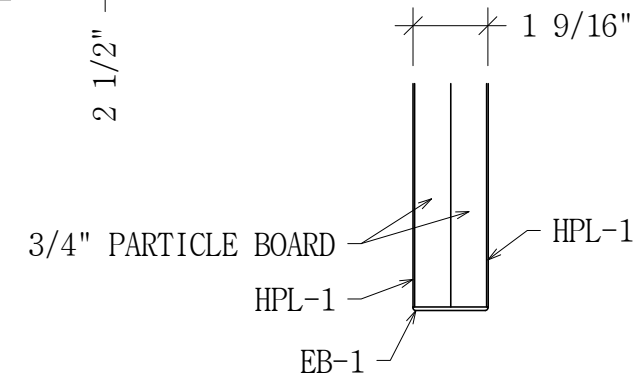
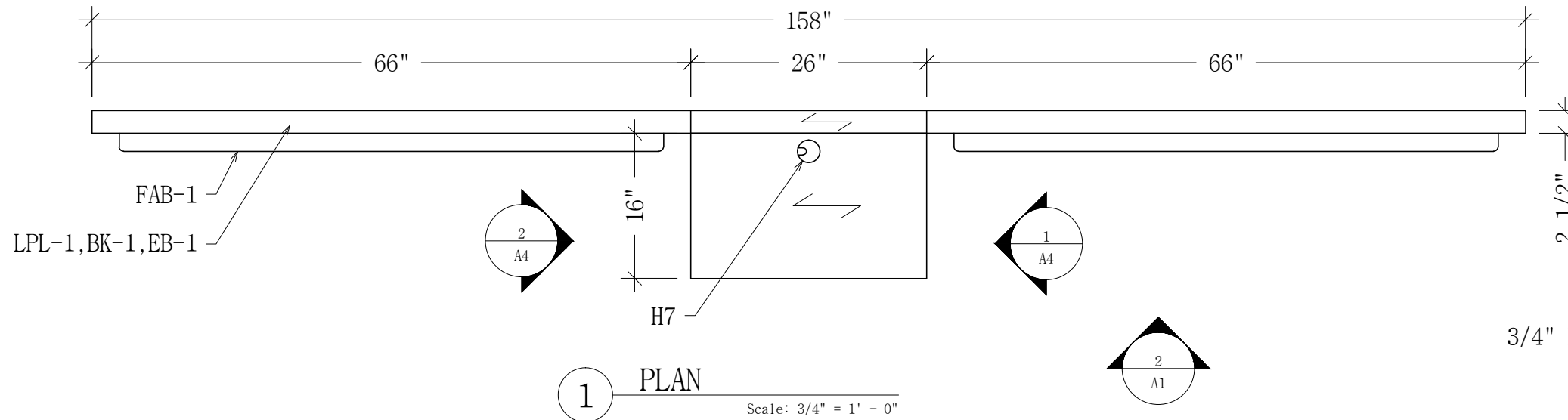


HARDWARE SCHEDULE

Original Issue:
 9/19/16
 Scale:
 N/A
 Job No.:
 Drawn:
 AM
 Drawing:
 SPECS 2

Revisions				
No	Date	Drawn By	Checked By	Per
-	-	-	-	-

VERIFY ALL DIMENSIONS IN FIELD PRIOR TO FABRICATION



1089 Allen Street
Jamestown, NY 14701
Phone 716.664.2232
Fax 716.664.1511



DOUBLE QUEEN
HEADBOARD
PLANS/ELEVATIONS

Original Issue:
9/19/16

Scale:
AS NOTED

Job No.:

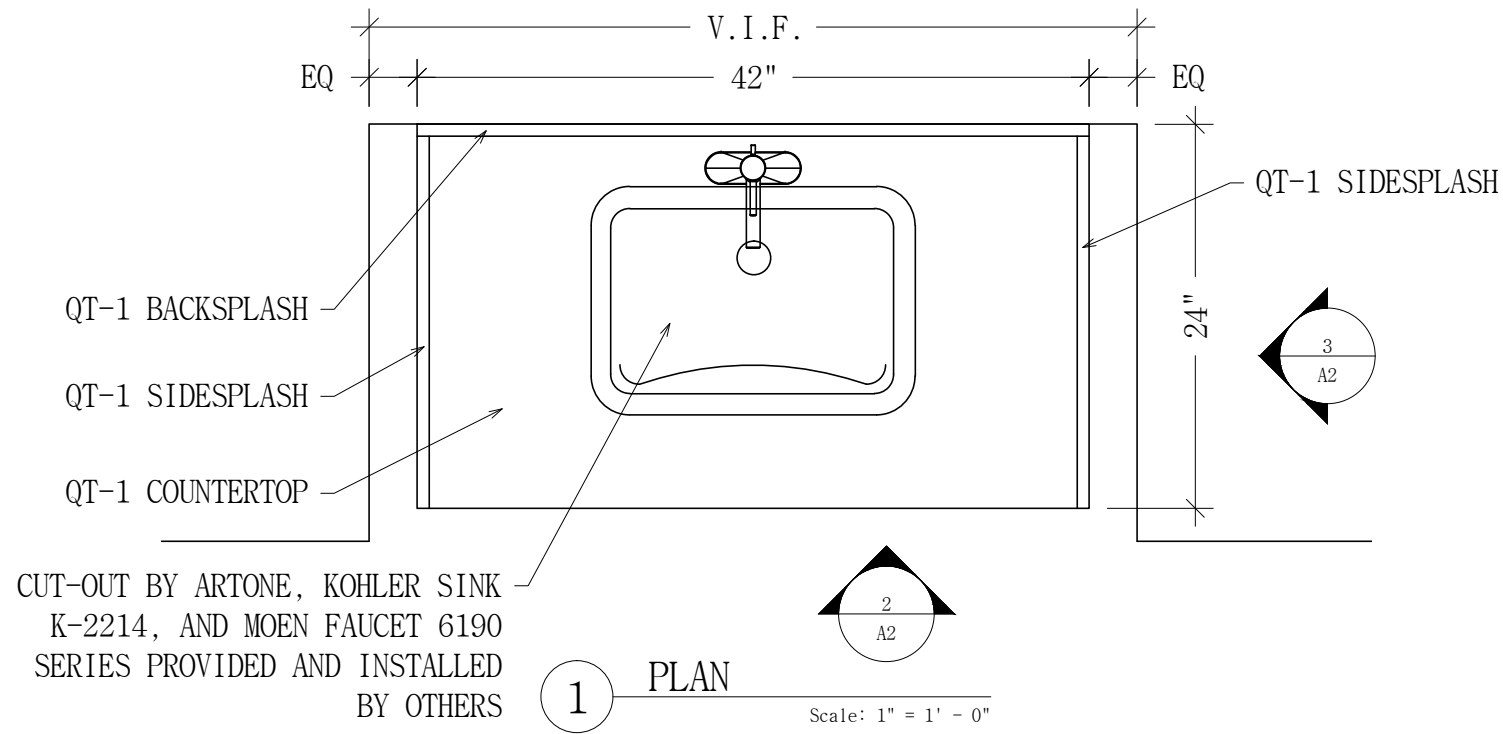
Drawn:
AM

Drawing:
A1

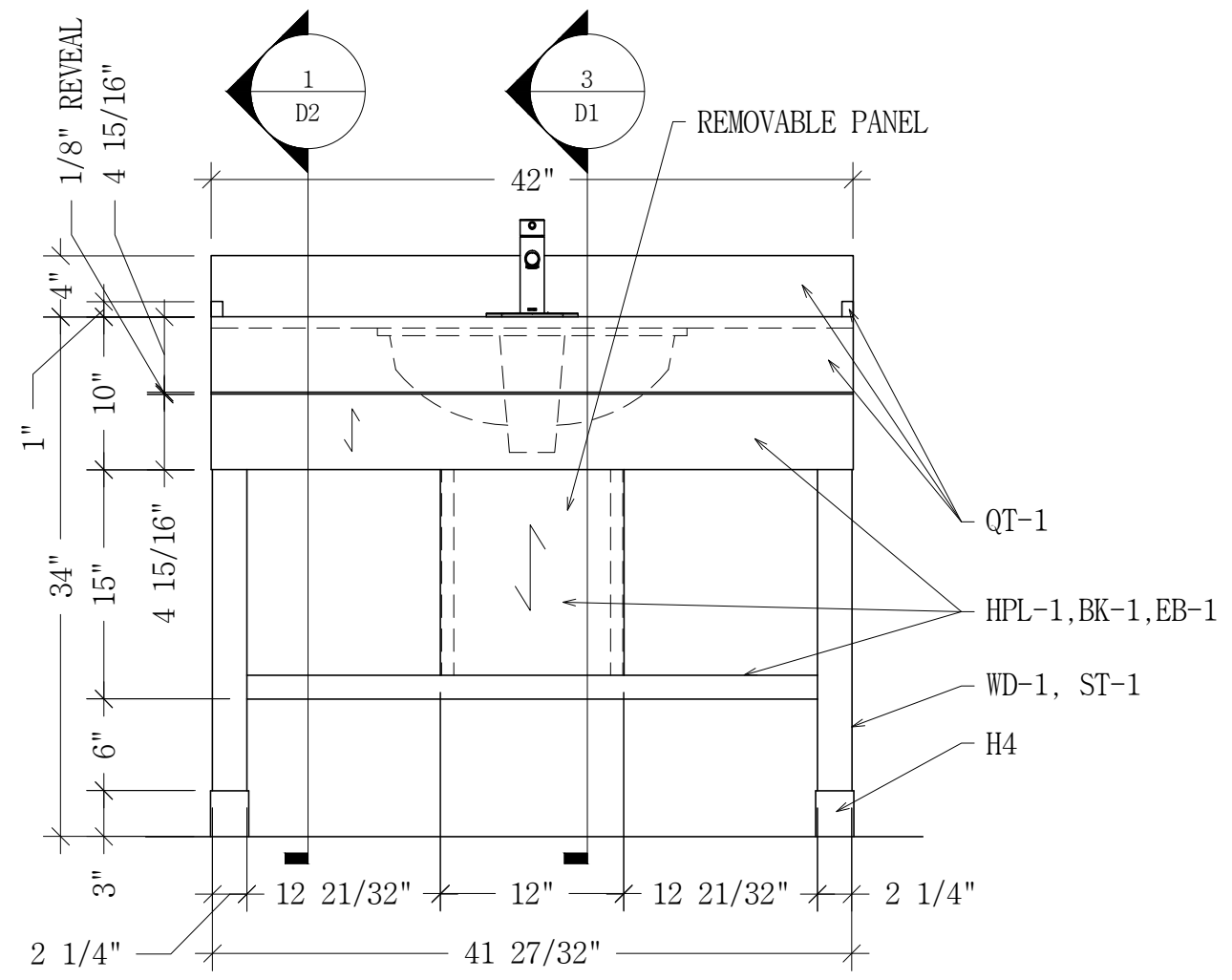
Revisions				
No	Date	Drawn By	Checked By	Per
-	-	-	-	-

VERIFY ALL DIMENSIONS IN FIELD PRIOR TO FABRICATION

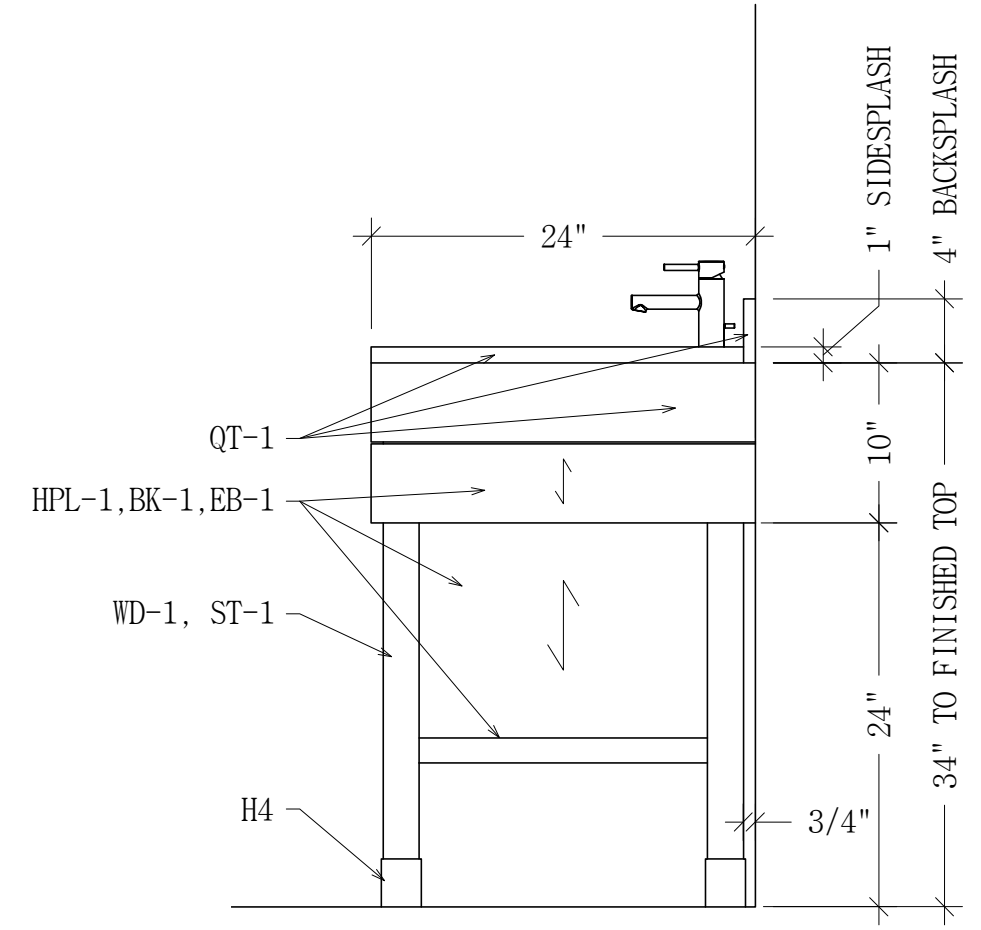
Revisions				
No	Date	Drawn By	Checked By	Per
-	-	-	-	-



1 PLAN
Scale: 1" = 1' - 0"



2 ELEVATION
Scale: 1" = 1' - 0"



3 ELEVATION
Scale: 1" = 1' - 0"

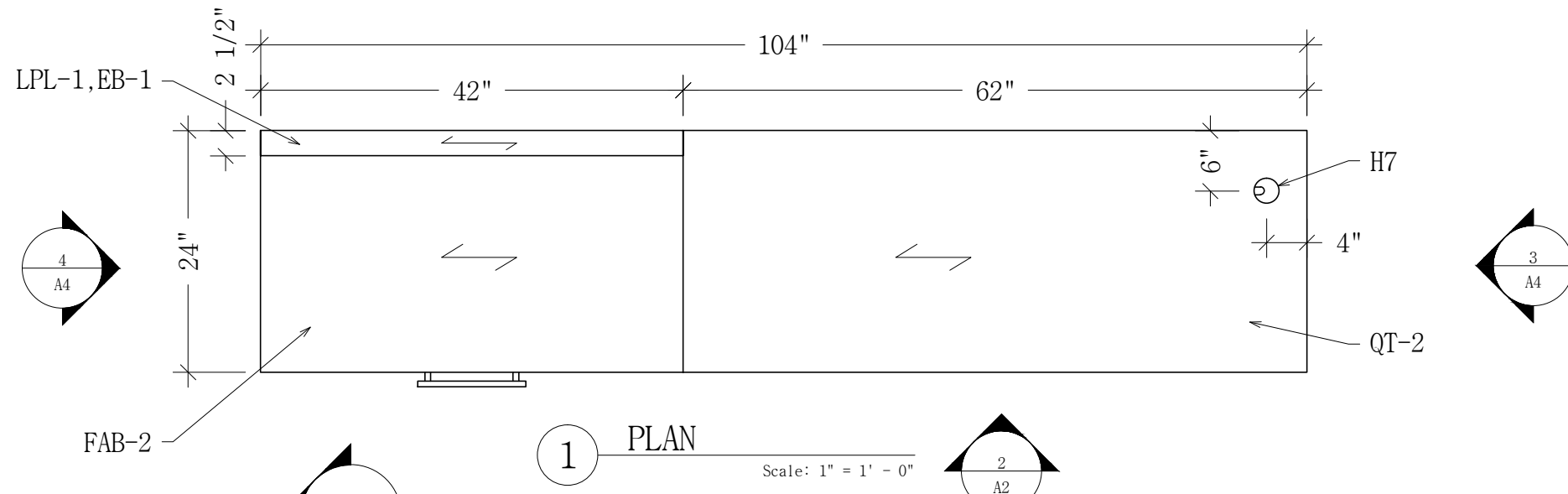


1089 Allen Street
Jamestown, NY 14701
Phone 716.664.2232
Fax 716.664.1511

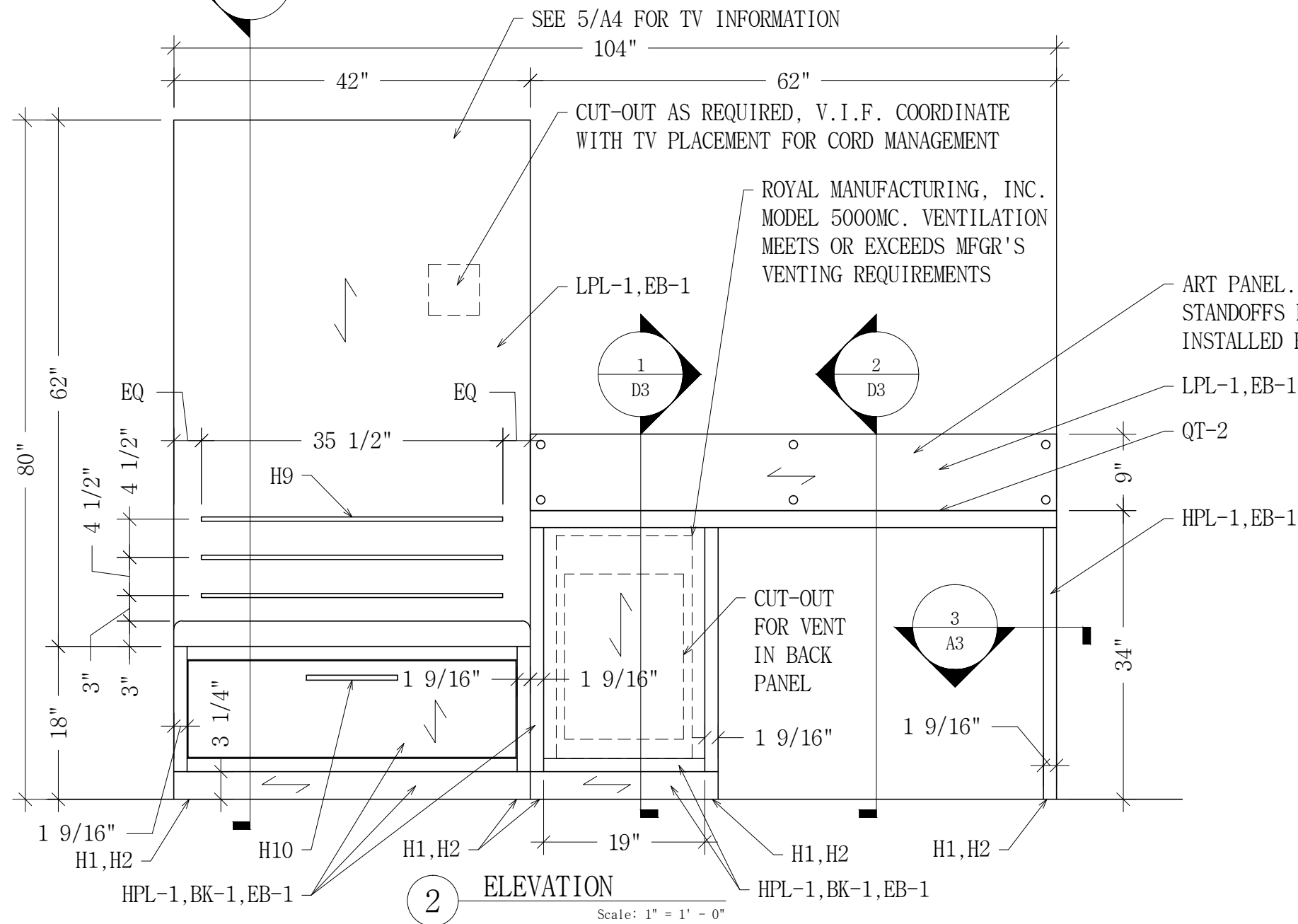
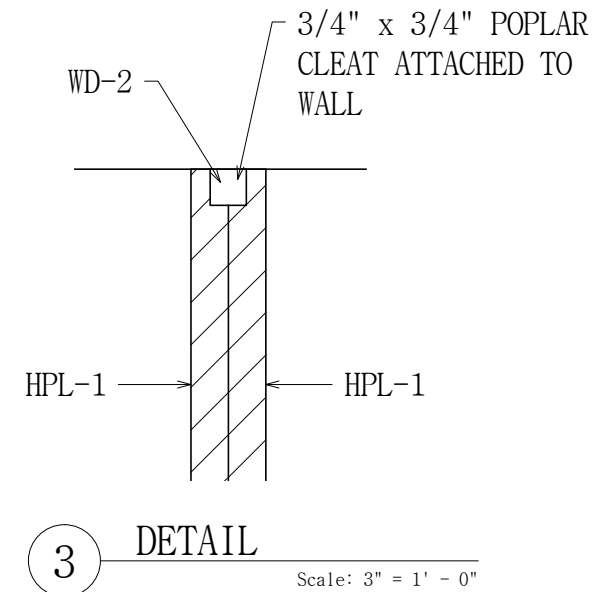


VANITY
PLANS/ELEVATIONS

Original Issue: 9/19/16
Scale: AS NOTED
Job No.:
Drawn: AM
Drawing: A2



VERIFY ALL DIMENSIONS IN FIELD PRIOR TO FABRICATION



1089 Allen Street
Jamestown, NY 14701
Phone 716.664.2232
Fax 716.664.1511

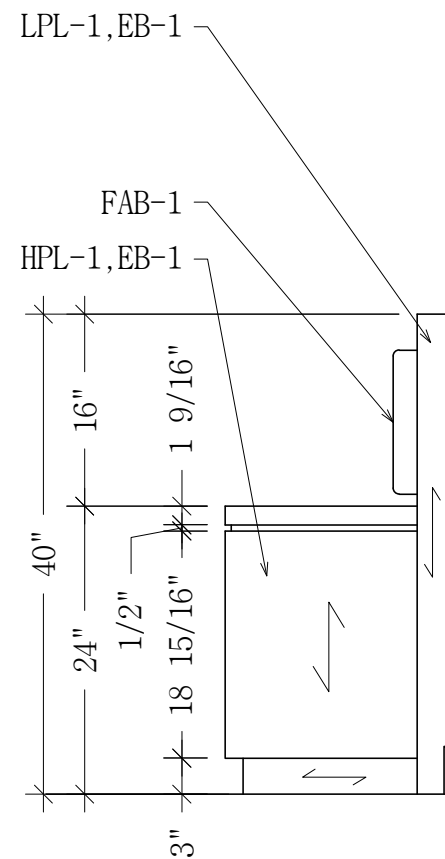
ARTONE
FURNITURE BY DESIGN

DESK/TV/DRESSER UNIT
PLANS/ELEVATIONS

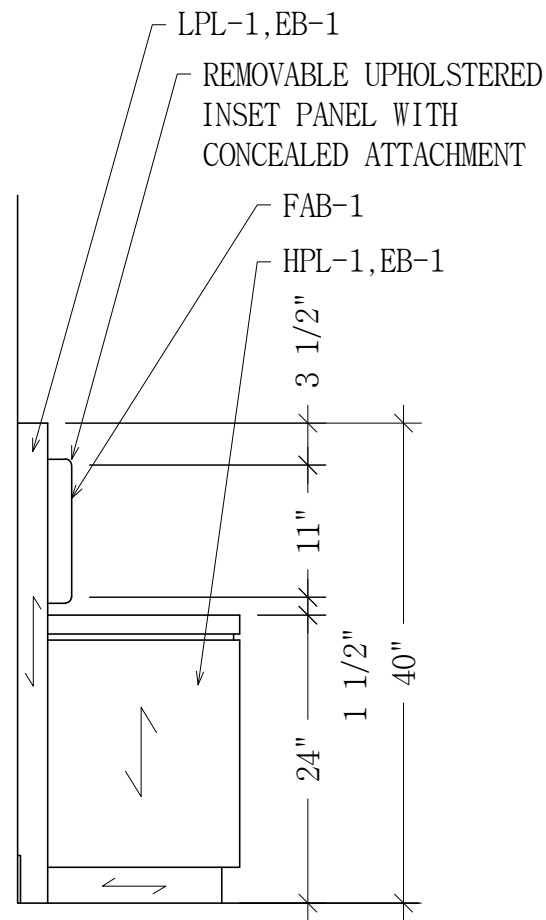
Original Issue: 9/19/16
Scale: AS NOTED
Job No.:
Drawn: AM
Drawing: A3

Revisions				
No	Date	Drawn By	Checked By	Per
-	-	-	-	-

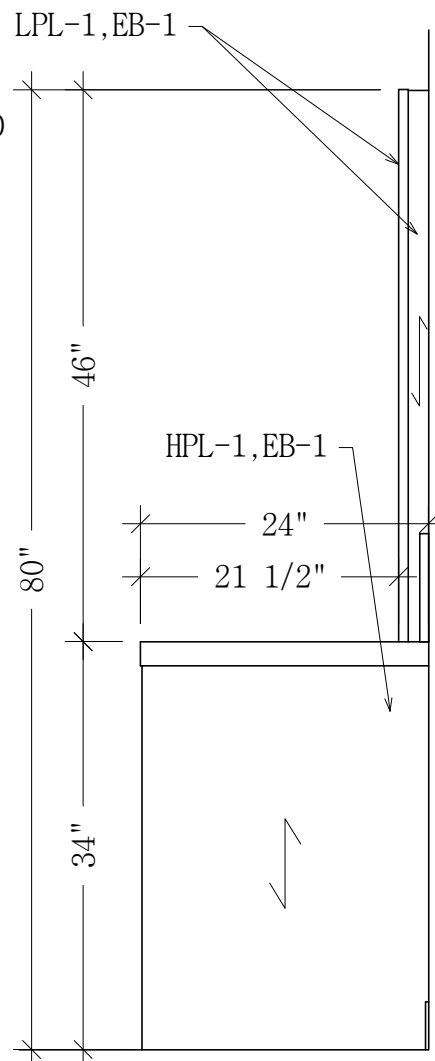
VERIFY ALL DIMENSIONS IN FIELD PRIOR TO FABRICATION



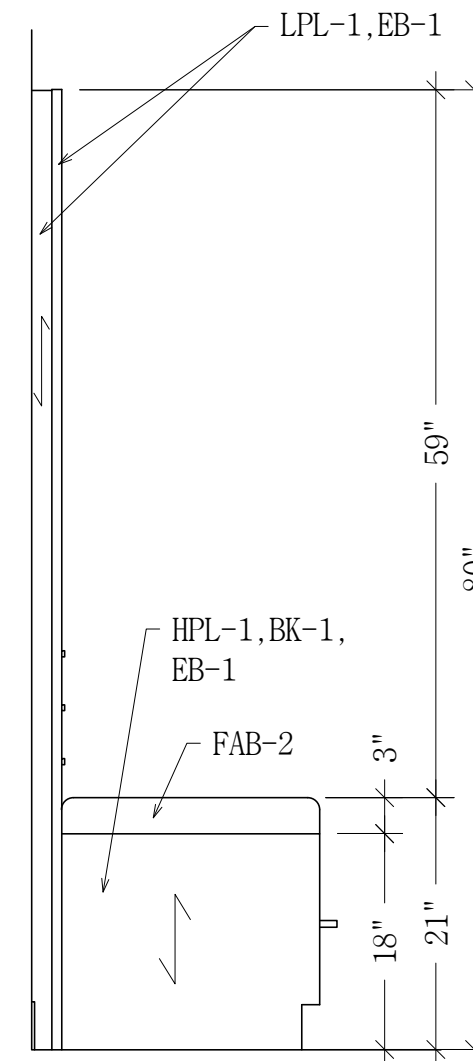
1 ELEVATION
Scale: 1" = 1' - 0"



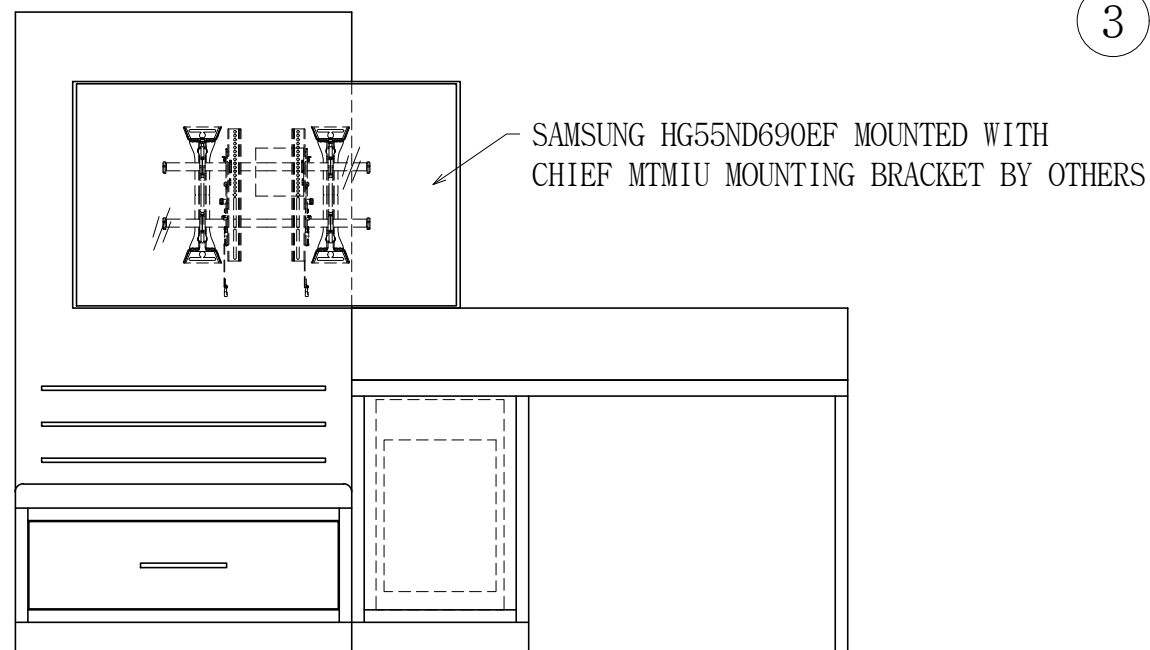
2 ELEVATION
Scale: 1" = 1' - 0"



3 ELEVATION
Scale: 1" = 1' - 0"



4 ELEVATION
Scale: 1" = 1' - 0"



5 ELEVATION
Scale: 1/2" = 1' - 0"



1089 Allen Street
Jamestown, NY 14701
Phone 716.664.2232
Fax 716.664.1511

ARTONE
FURNITURE BY DESIGN

MISC. ELEVATIONS

Original Issue:
9/19/16

Scale:
AS NOTED

Job No.:

Drawn:
AM

Drawing:
A4

Revisions				
No	Date	Drawn By	Checked By	Per
-	-	-	-	-

VERIFY ALL DIMENSIONS IN
FIELD PRIOR TO FABRICATION

Revisions				
No	Date	Drawn By	Checked By	Per
-	-	-	-	-

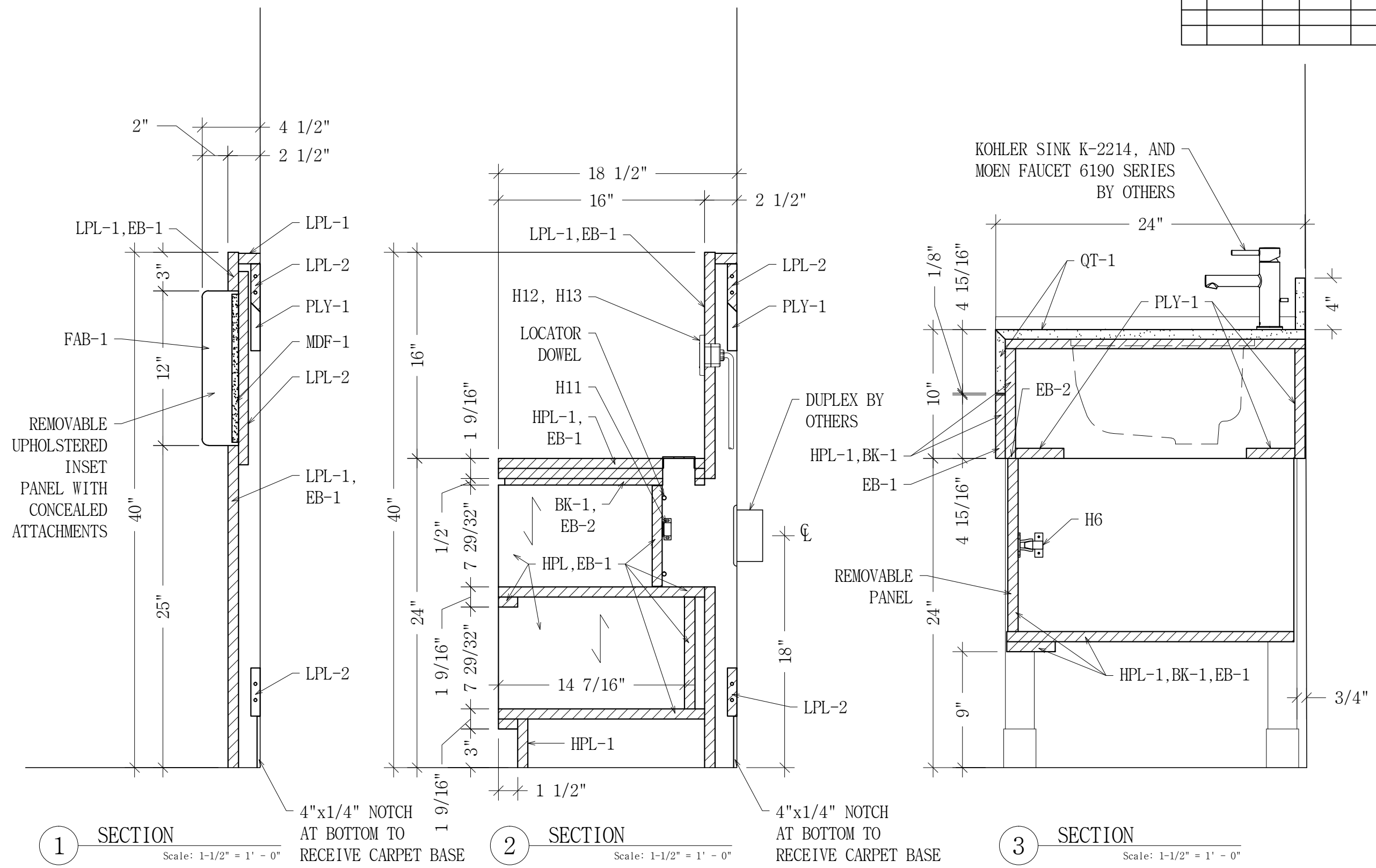


1089 Allen Street
Jamestown, NY 14701
Phone 716.664.2232
Fax 716.664.1511



SECTIONS

Original Issue:	9/19/16
Scale:	AS NOTED
Job No.:	
Drawn:	AM
Drawing:	D1



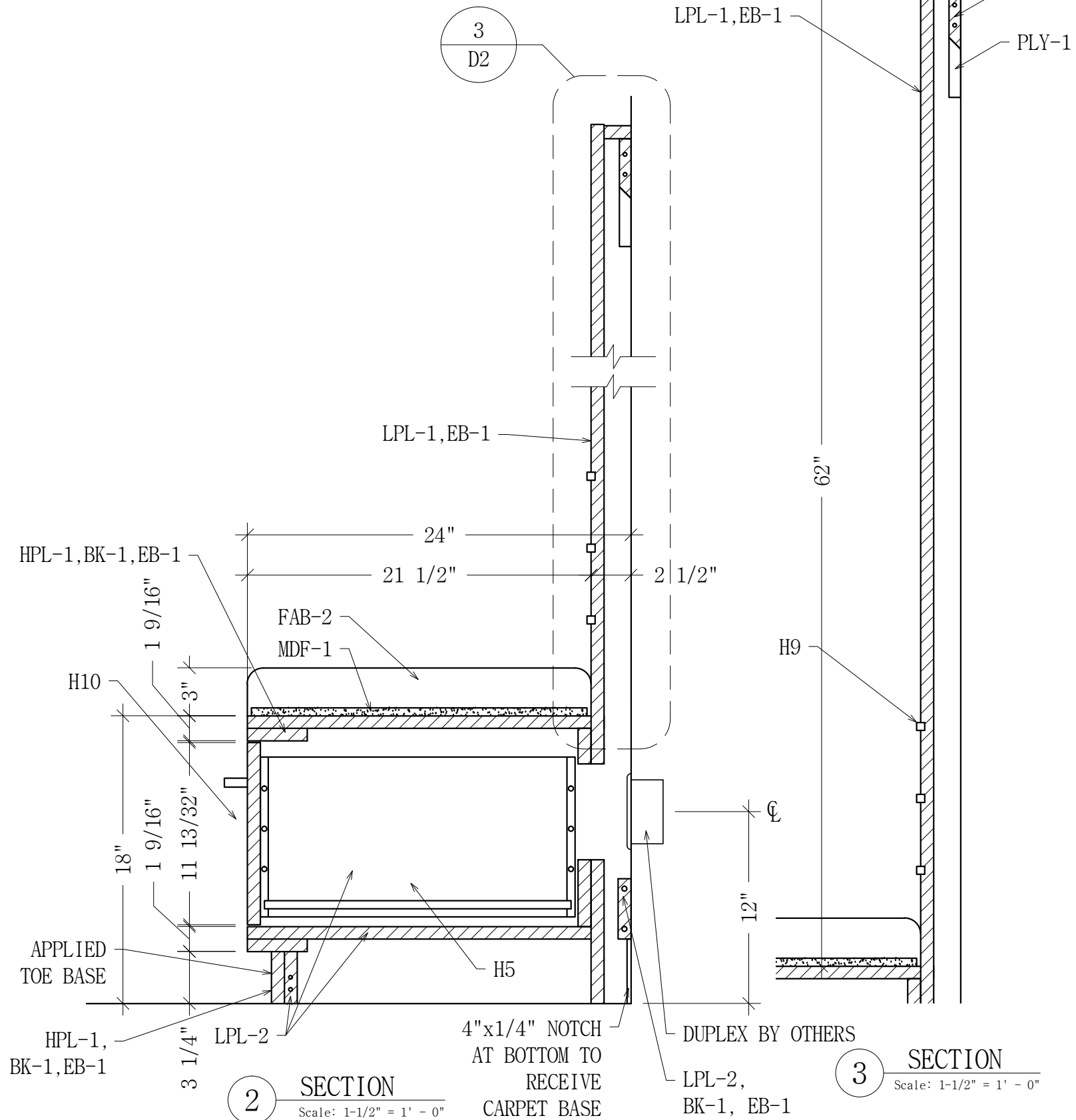
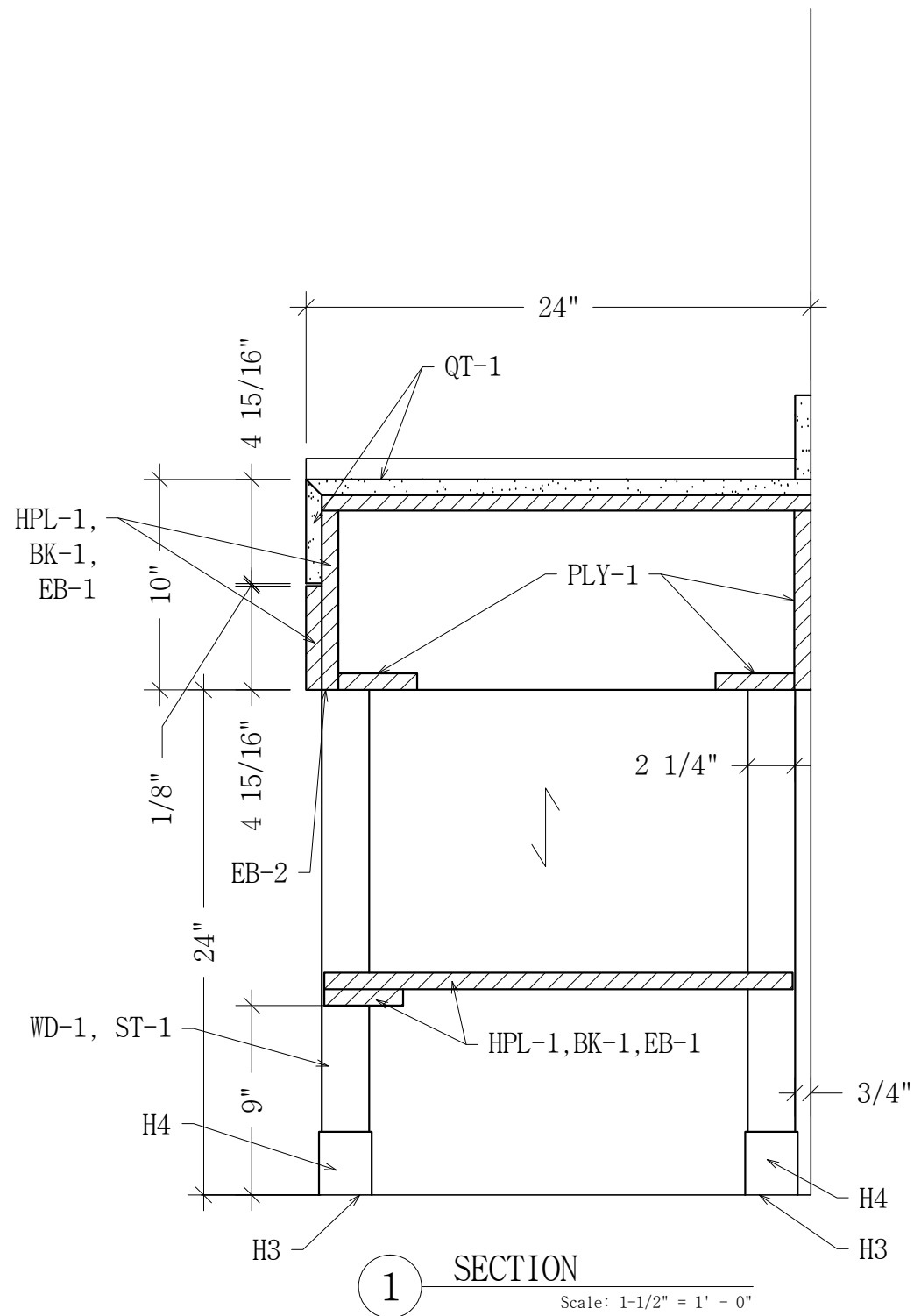
1 SECTION
Scale: 1-1/2" = 1' - 0"

2 SECTION
Scale: 1-1/2" = 1' - 0"

3 SECTION
Scale: 1-1/2" = 1' - 0"

Revisions				
No	Date	Drawn By	Checked By	Per
-	-	-	-	-

VERIFY ALL DIMENSIONS IN FIELD PRIOR TO FABRICATION



1089 Allen Street
Jamestown, NY 14701
Phone 716.664.2232
Fax 716.664.1511

ARTONE
FURNITURE BY DESIGN

SECTIONS

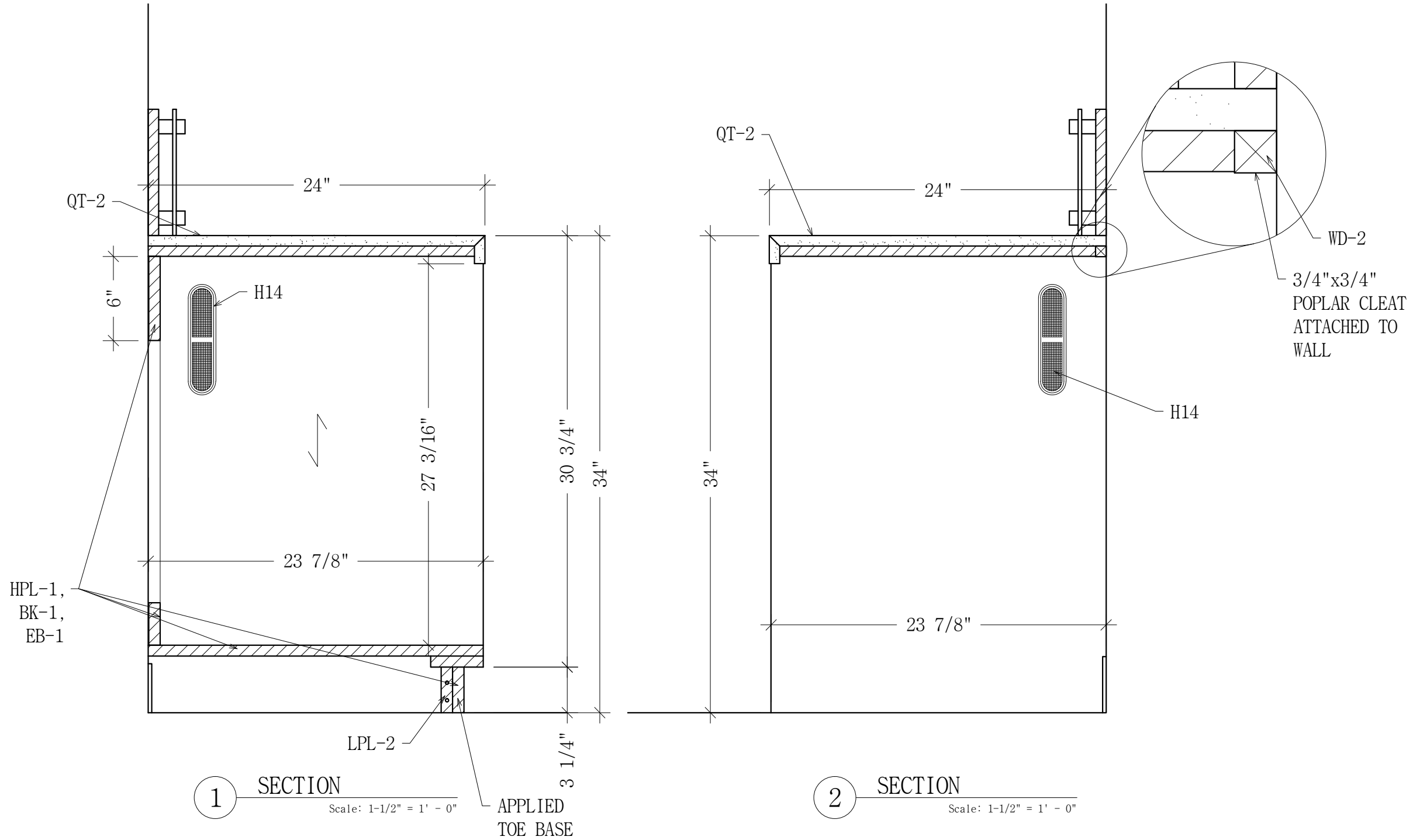
Original Issue:	9/19/16
Scale:	AS NOTED
Job No.:	
Drawn:	AM
Drawing:	D2

VERIFY ALL DIMENSIONS IN
FIELD PRIOR TO FABRICATION

Revisions				
No	Date	Drawn By	Checked By	Per
-	-	-	-	-



1089 Allen Street
Jamestown, NY 14701
Phone 716.664.2232
Fax 716.664.1511



1 SECTION
Scale: 1-1/2" = 1' - 0"

2 SECTION
Scale: 1-1/2" = 1' - 0"

SECTIONS

Original Issue: 9/19/16
Scale: AS NOTED
Job No.:
Drawn: AM
Drawing: D3